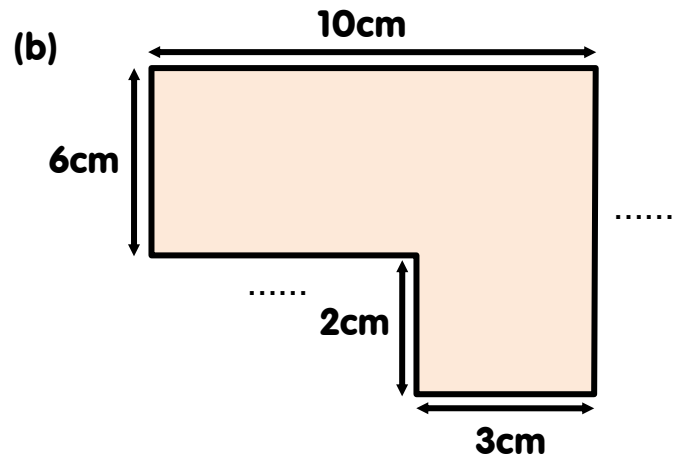
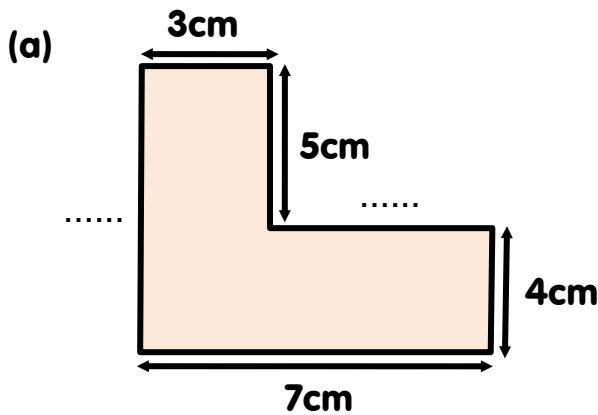




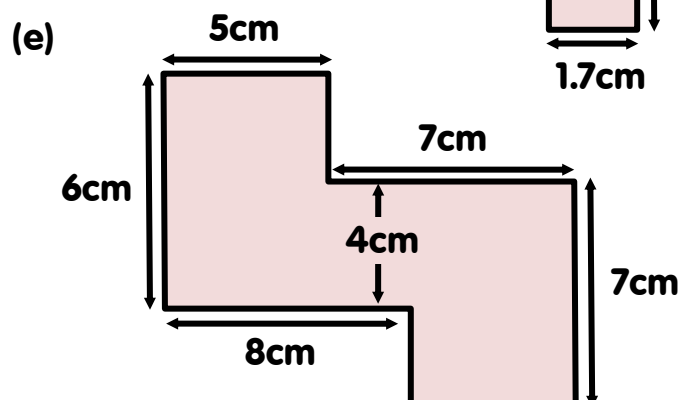
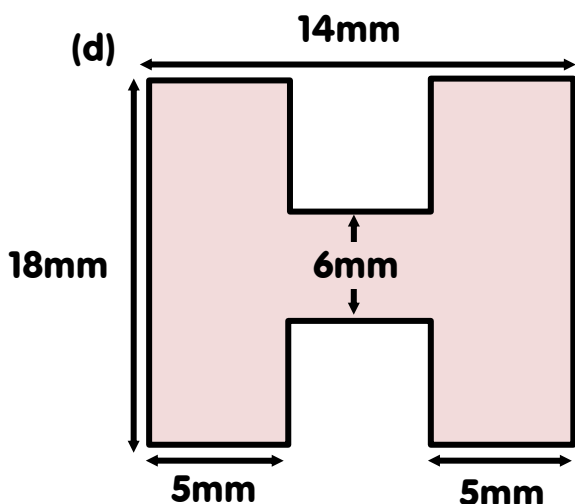
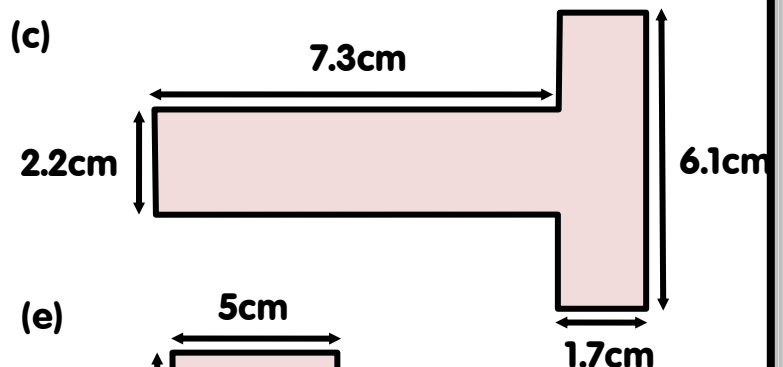
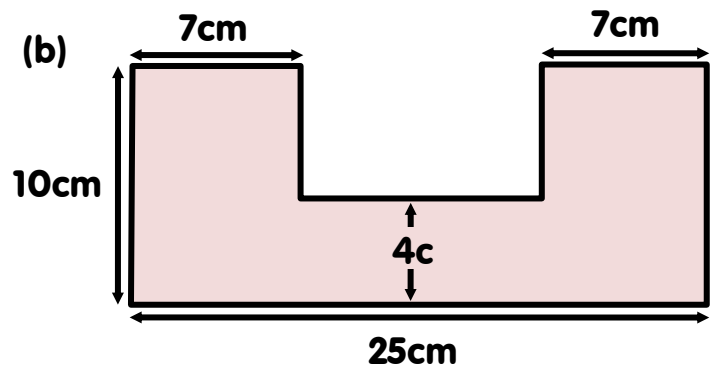
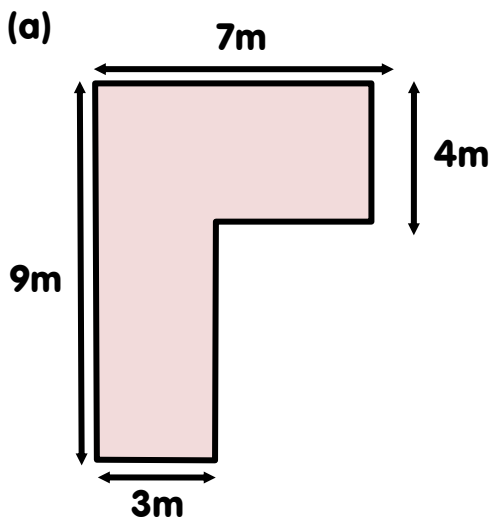
### 1 Rectangles and Squares

For each of the following shapes find the lengths of any missing sides and then find the perimeter and area of the shape.



### 2 More of the Same

Find the area of each of the following compound shapes.

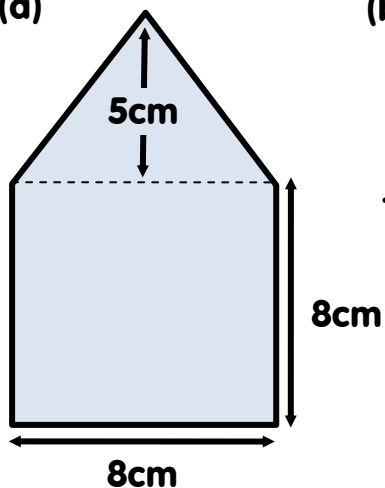


3

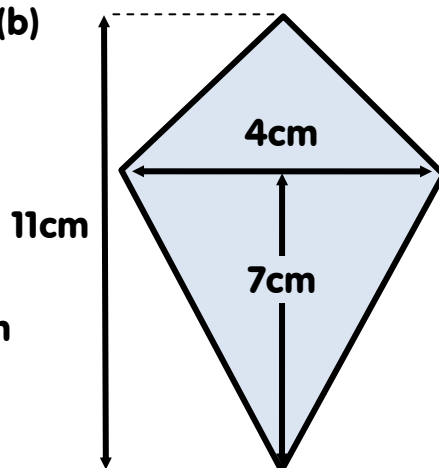
### More Complicated Shapes

Find the area of each of the following compound shapes.

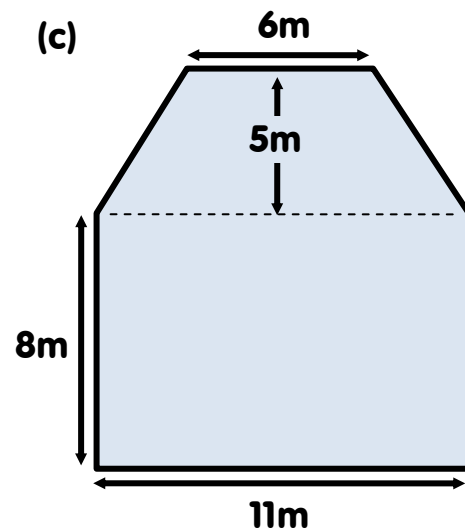
(a)



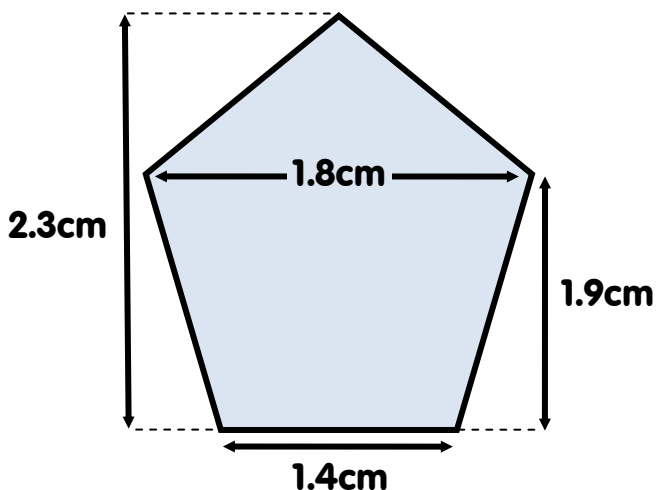
(b)



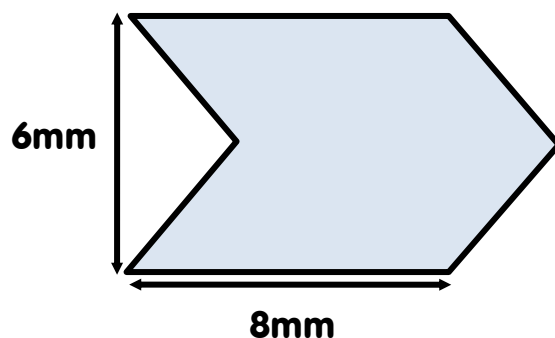
(c)



(d)



(e)

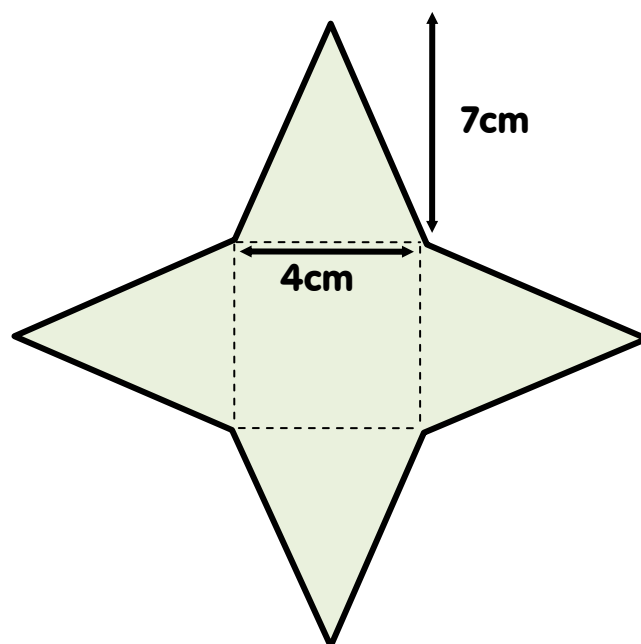


4

### Packaging

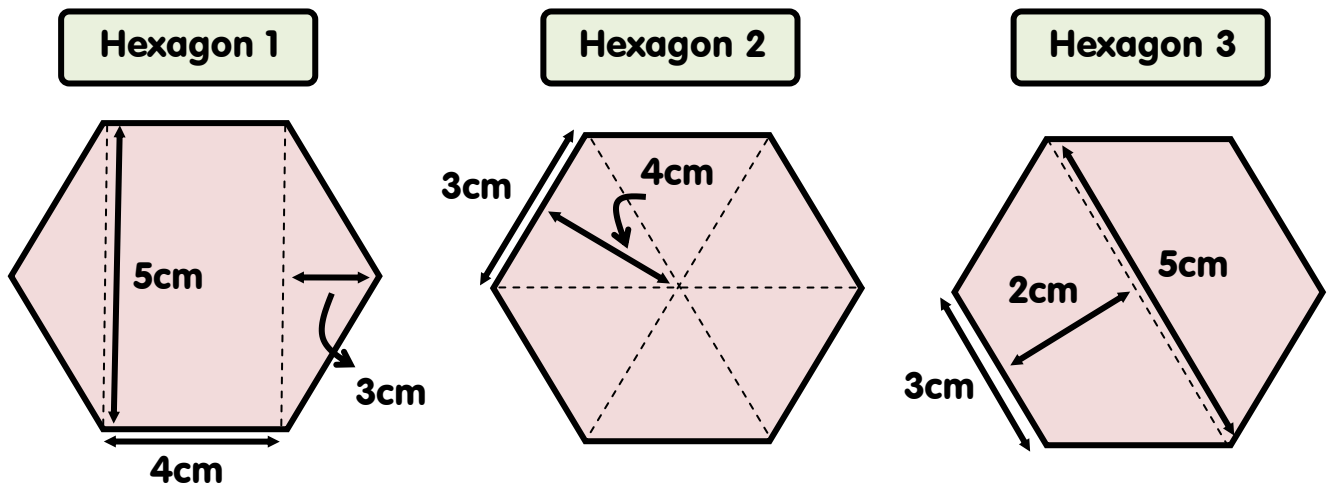
The diagram below shows the net used to make a certain product. The net is made up of a square and four triangles.

The net is to be made out of card. Find the total area of card needed to make each net.



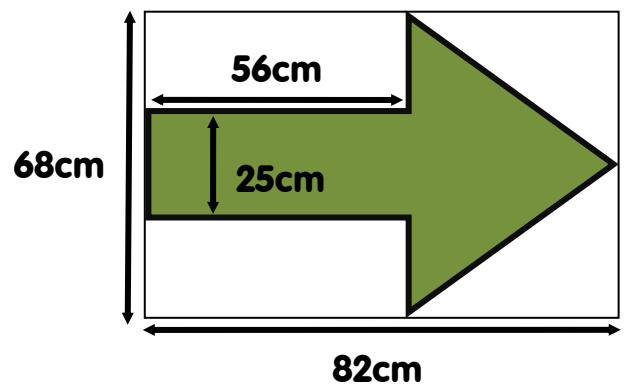
**5** *Hexagon*

The diagrams below show three hexagons. Which hexagon has the biggest area? You must show all your working



**6** *Road Sign*

The diagram opposite shows a sign that has been placed on a road. Find the area of the green arrow.



**7** *Coordinate Problem*

A quadrilateral is made up by plotting the following points and then joining them together (4, 4), (4, 7), (10, 7), (14, 4)

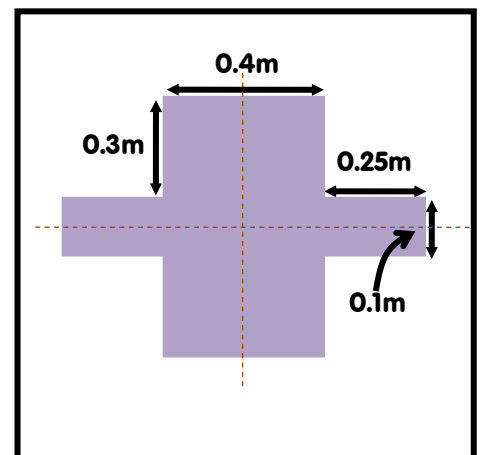
Find the area of the shape obtained

**8** *Logo*

A logo for an organisation is made up of a purple cross on a white background.

The diagram shows the logo and its dimensions. The cross has two lines of symmetry as shown by the dotted lines.

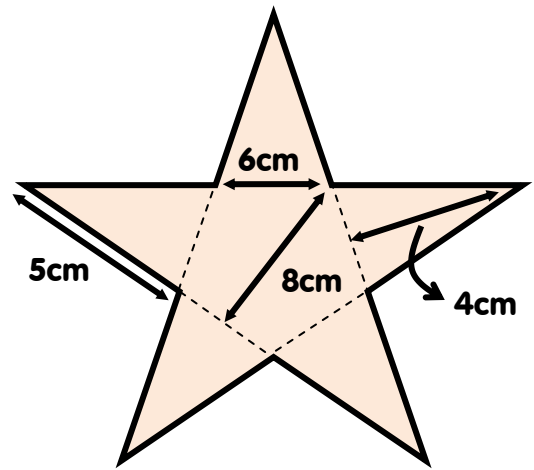
Find the area of the cross.



9

**The Star**

Find the area of the star opposite.  
 You should show all your working.  
 Each point on the star is the same.  
*(Think of the star as one large triangle and three smaller ones)*

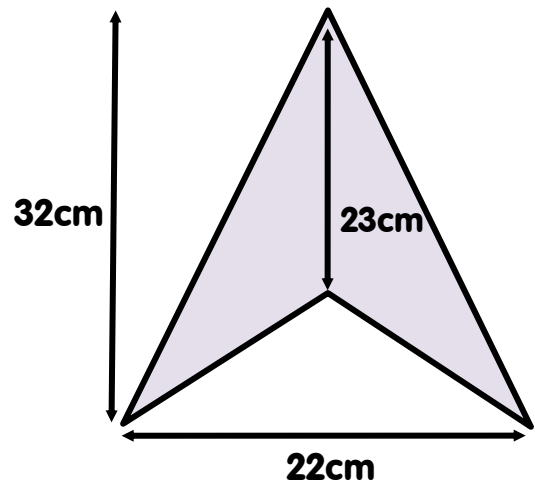


10

**T-Shirt Design**

A clothing company makes T-Shirts.  
 One of their T-shirts has the following design on it.

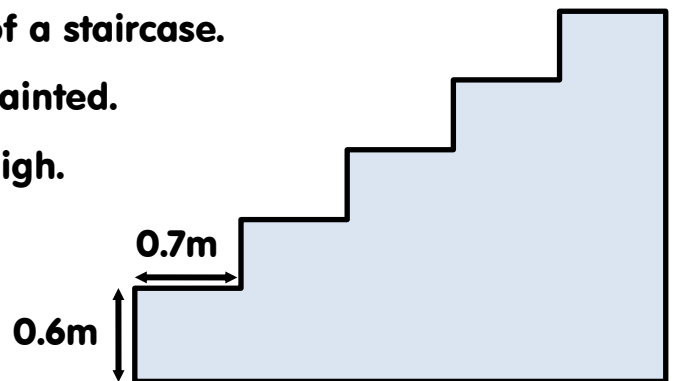
Find the area of the design.



11

**Staircase**

The diagram shows the side view of a staircase.  
 This side of the staircase is to be painted.  
 Each step is 0.7m wide and 0.6m high.  
 Find the area of paint needed.



12

**Area of Problem**

A design on a Christmas card is in the shape of a Christmas tree. The tree is made up of three congruent green triangles and a brown square.

Some parts of the triangles are hidden.  
 Find the total area of green showing.

